

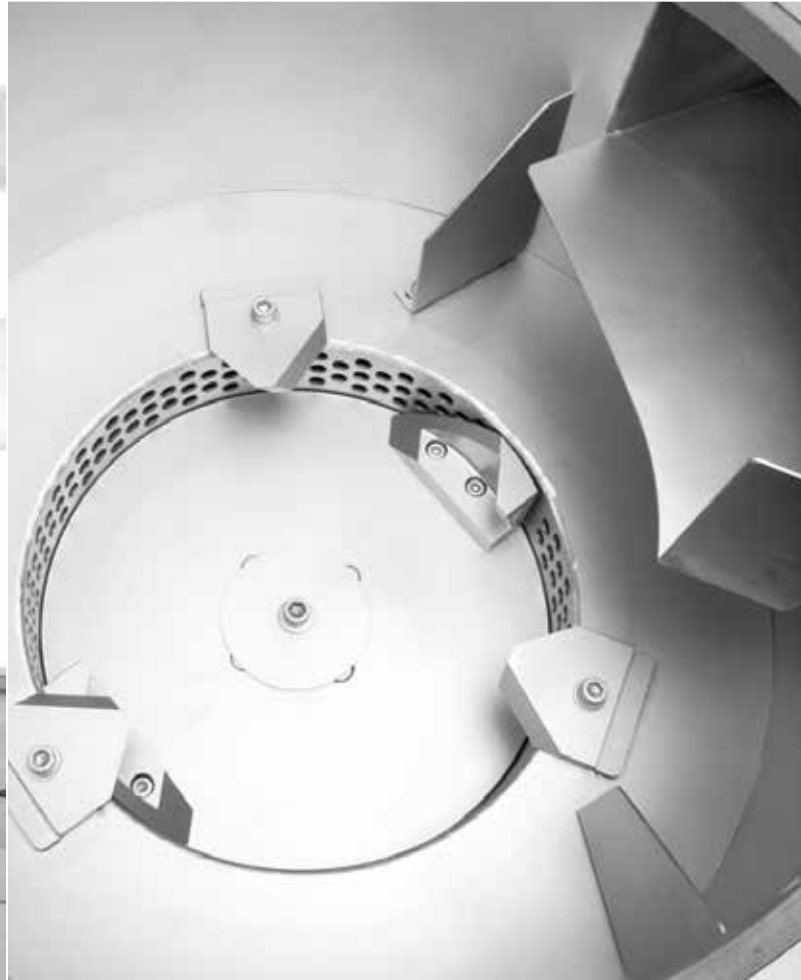


WASTE TREATMENT
WET WASTE DISPOSAL

SERIE ECOLO



HOBART



ECONOMIC – POWERFUL

The need to efficiently dispose of food waste is continually increasing, especially in hospitals, refectories and canteens. The Ecolo can handle a variety of food waste.

Special blades are available for tendons, fish skins and disposable ware.

The optional self-cleaning program helps staff to clean the machine.





CAPACITY

PULPER

Leftovers from meat, vegetable and pasta make greatest demands to the pulper. The blades made of hardened stainless steel are extremely robust and long-living. Even large quantities are chopped without any problem. Special blades are available for other waste such as plastic materials or bones.



HIGH CAPACITY

At peak times up to 7.5 kg leftovers per minute are disposed of. A powerful motor is essential for a reliable treatment of leftovers – even at maximum load.

2-PHASE-TREATING-PROCESS

High capacity wet waste treatment units deliver significant volume reduction. The 2-phase-treating process reduces the volume of leftovers by up to 80%. Energy- and freshwater consumption is reduced by repeated use of process water.

SAFETY

SAFETY INTERLOCKS

Safety first for wet waste disposal! It is important to prevent the staff from reaching inside the pulper. An automatic safety lock prevents opening of the pulper cover during operation. Operation is only possible after replacing all covers.



SAFETY DISTANCE

The distance between the pulper and garbage chute has been designed to minimize the risk of injury when adding waste produces.



OPERATION

EASYTRONIC

Incorrect operation is avoided due to symbols and push-buttons which are clearly arranged and easy to understand.



HIGH PERFORMANCE MAGNET

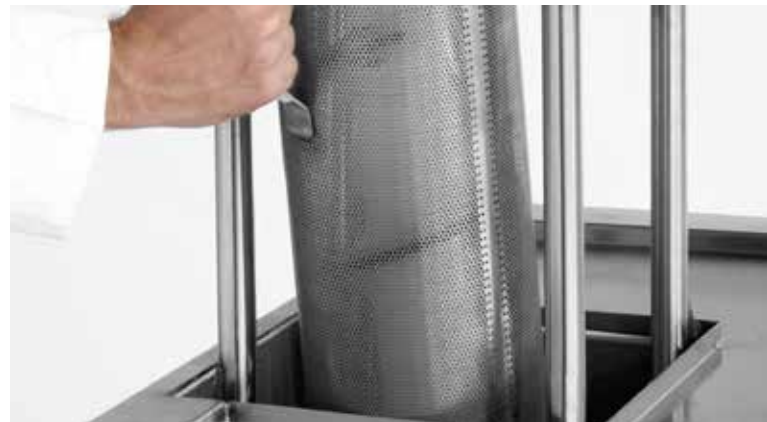
Cutlery is often put into the machine together with the food waste. They damage the blades in the pulper. A high-performance magnet captures cutlery in the garbage chute. The staff can remove these parts easily and without having to interrupt operation.



CLEANING

STRAINER CYLINDER WITH SCREW CONVEYOR

The machine has to be cleaned every day. The cover can easily be removed without tools providing access to strainer cylinder and screw conveyor, which are also easily removable.



BREAKER

Large and smooth surfaces as well as large radiused simplify cleaning of the pulper. In addition the optional cleaning programme helps the staff to clean the unit.

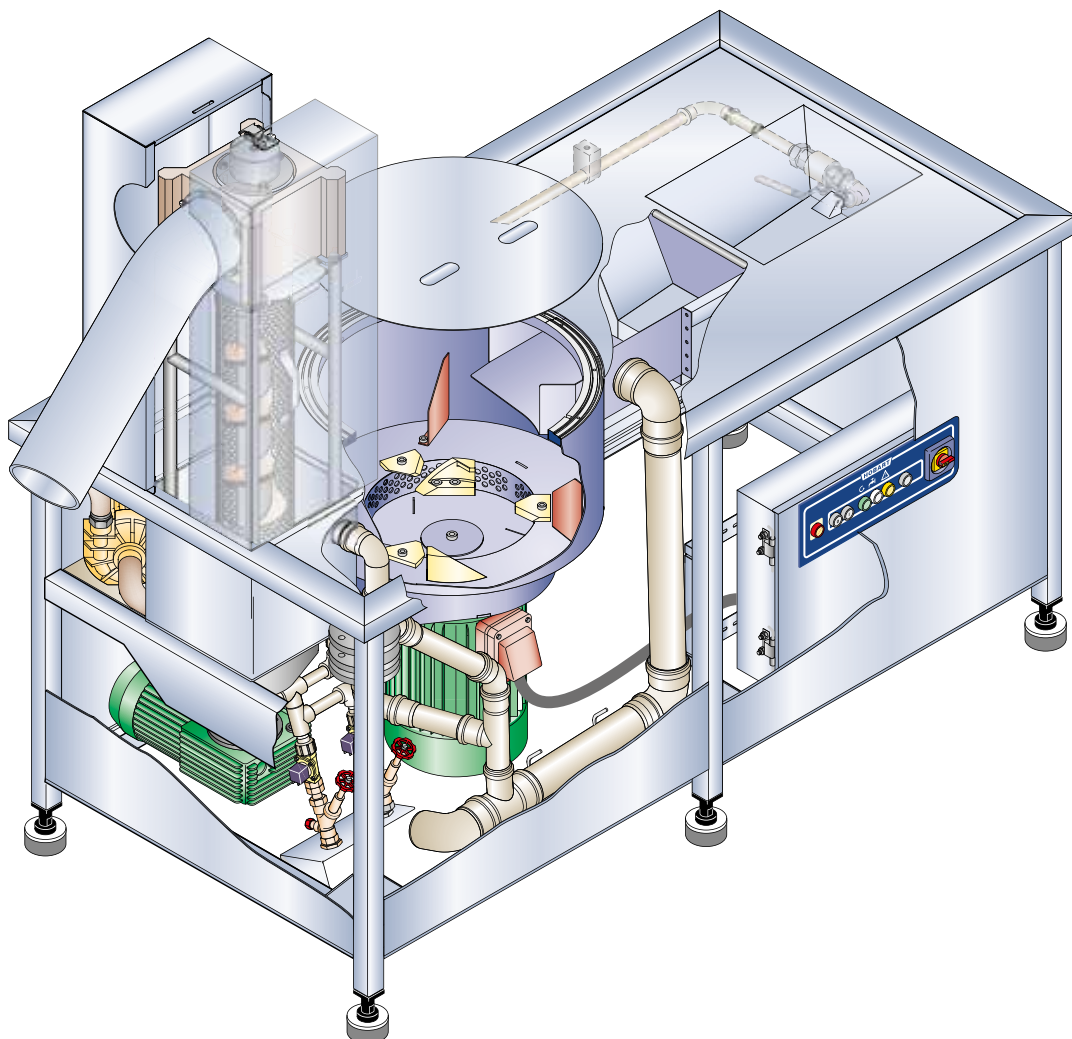


MODE OF OPERATION

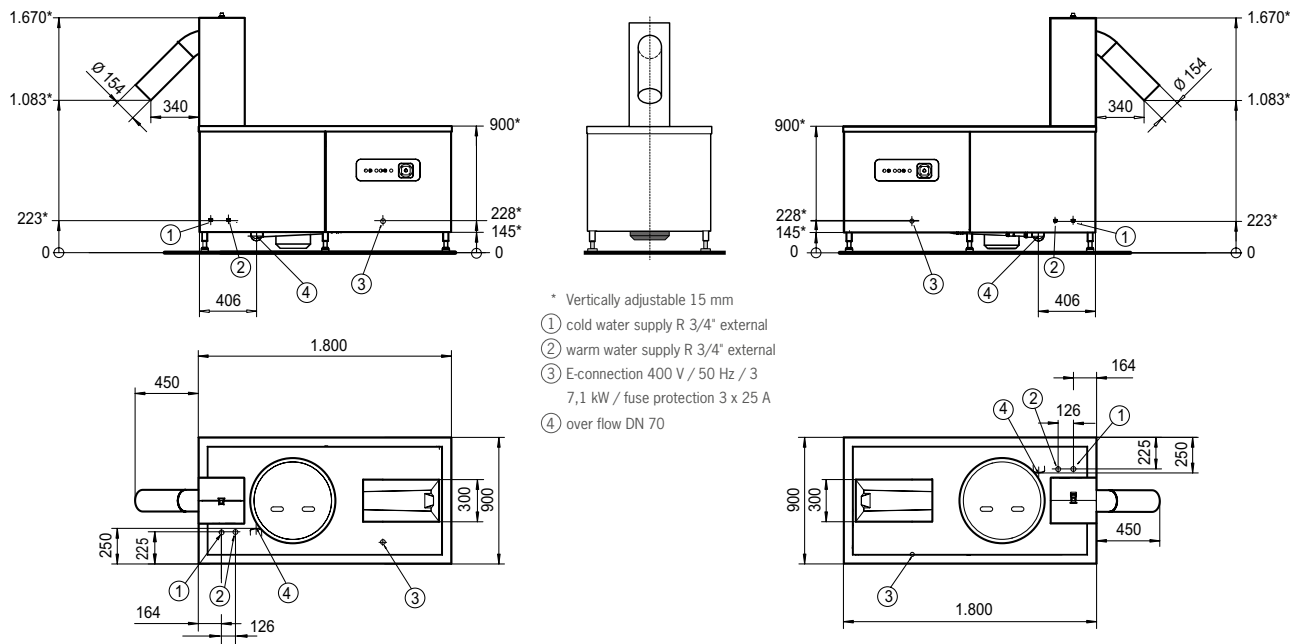
THIS IS HOW THE HOBART WET WASTE TREATMENT UNIT ECO 355 WORKS

Food waste is flushed via the garbage chute into the pulper which is filled with water. The grinding disc is equipped with two rotating cutters which also create a strong suction which pulls debris towards them. This process continues until the particles are small enough to pass through the holes in the strainer ring. Now the first phase is finished. Note: The delta cutting blades are double sided. By turning the blades over useful life is prolonged.

In the second phase of the process the chopped waste is transferred into the strainer cylinder. Here the screw conveyor transports the particles upwards towards a pressure plate where they are compressed and most of the water is squeezed out. The waste then leaves the Ecolo via a chute and is collected in a suitable receptacle. The water which was squeezed out is re-circulated to the garbage chute which keeps fresh water consumption to a minimum. A spray system cleans the strainer cylinder periodically with fresh water which regenerates the circulation water. Filling and water level control is carried out automatically and overflow water is led into the sewage system in accordance with local water regulations.



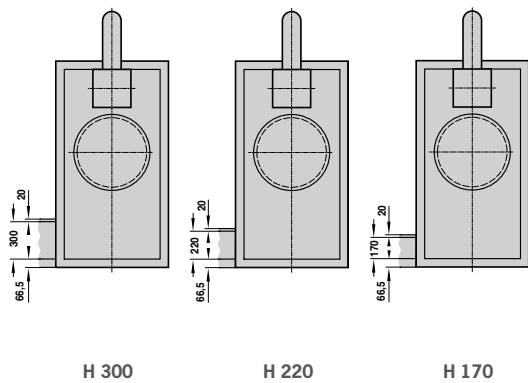
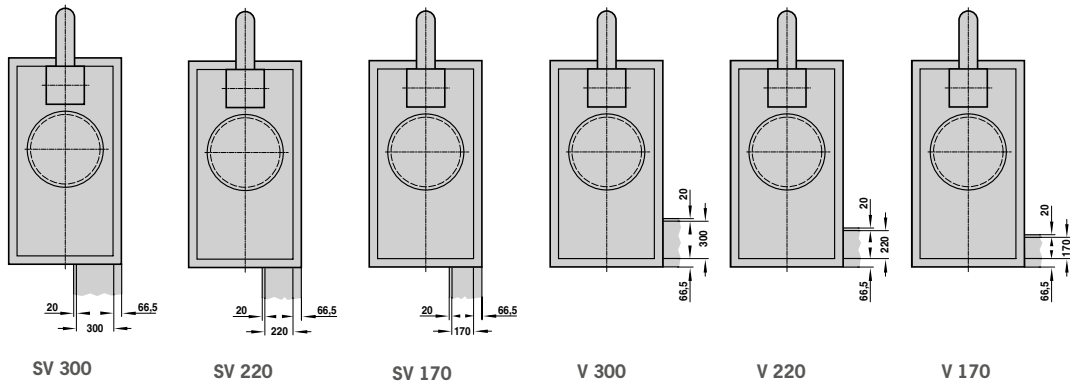
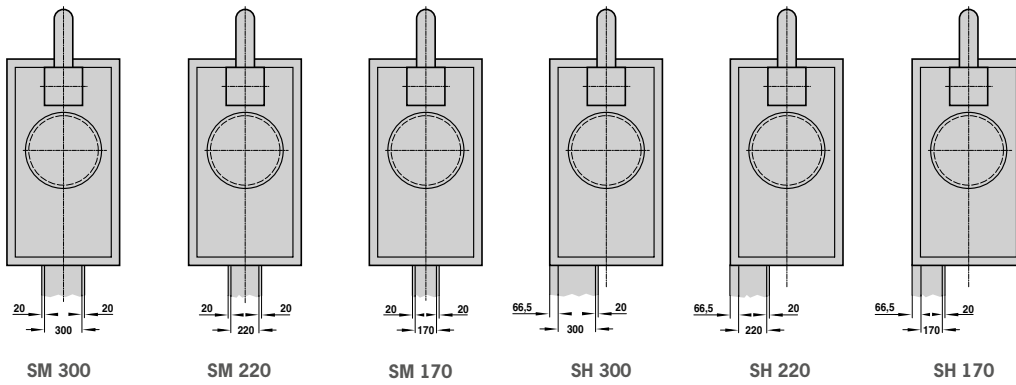
TECHNICAL DATA



MODEL	ECOLO 355
THROUGHPUT RATE	
Mixed leftovers	450 kg/h
MOTOR OUTPUT	
Breaker	4.6 kW
Water press	1.5 kW
Circulation pump	0.7 kW
TOTAL CONNECTED LOAD	7.1 kW
E-CONNECTION	400 V / 50 Hz / 3Ph
PROTECTION BY FUSES	3 x 25 A
TANK VOLUME	app. 50 l
WATER CONSUMPTION	app. 90 l/h
MATERIAL BLADES	stainless steel (1.4034)

MODELS

- for external drain connection



At frontal view position of the inlet drain is left of the control.

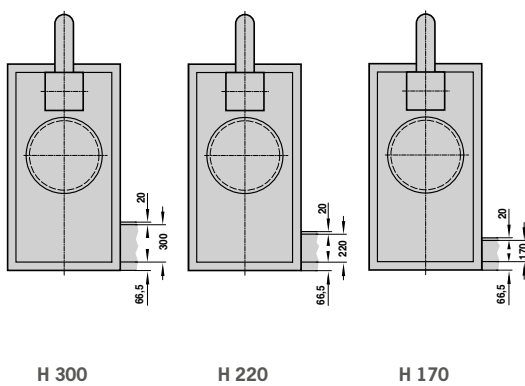
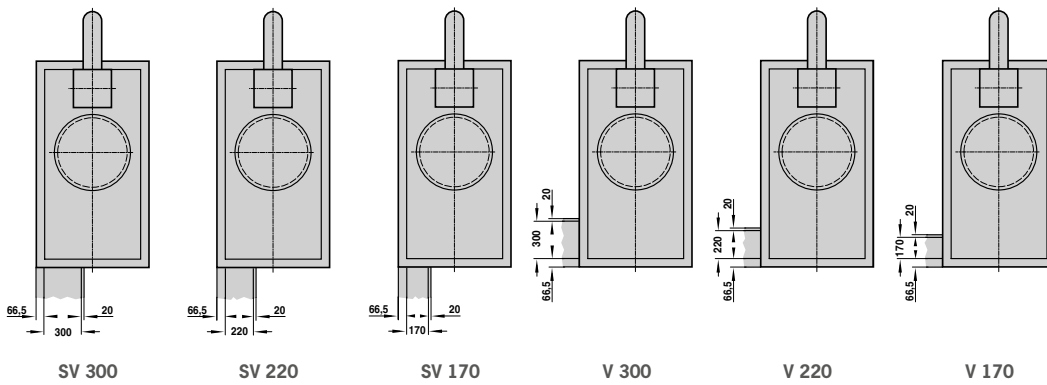
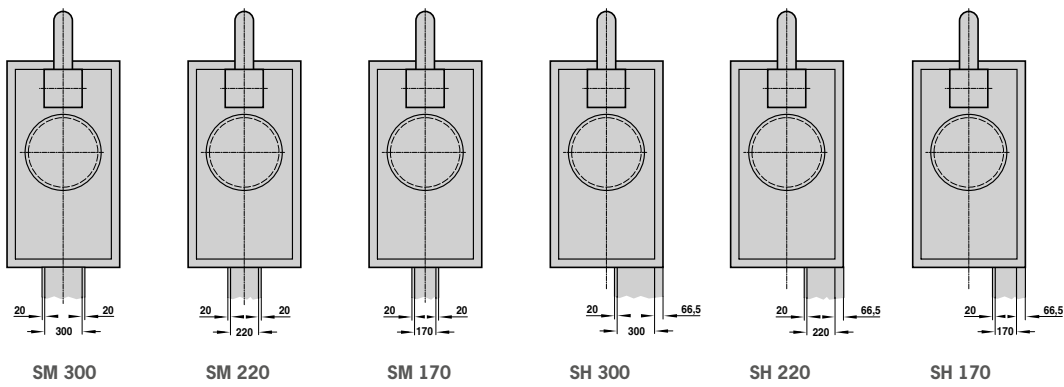
S = face side

M = middle

H = back

V = front

300 / 220 / 170 = clear drain width in mm



At frontal view position of inlet drain
is right of the control.

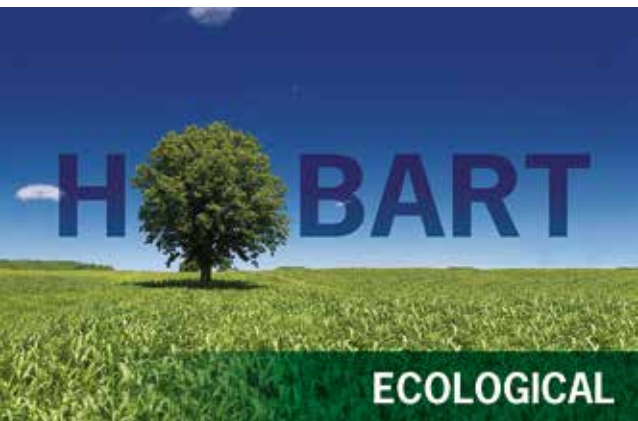
S = face side

M = middle

H = back

V = front

300 / 220 / 170 = clear drainage width in mm



THE COMPANY

HOBART is the world market leader in commercial warewashing technology and renowned manufacturer of cooking, food preparation, refrigeration, and environmental technology. Established 1897 in Troy, Ohio, HOBART today employs more than 6,900 employees around the world. At our manufacturing plant in Offenburg, Germany, HOBART develops, produces, and distributes warewashing technology worldwide. Internationally, gastronomy hotels canteens, bakeries and butcher shops, supermarkets, airlines and cruise ships swear by our innovative products, which are considered to be economical and ecological market leaders.



WHENEVER THE FIRST
MACHINE WILL BE CAPABLE OF
WASHING WITHOUT WATER –
IT WILL BE A HOBART.

We provide this promise of quality to our customers, and it represents our personal standard upheld by all our staff at HOBART.

OUR VISION - WASH WITHOUT WATER

Intensive market research has shown, that our customers expect warewashing technology that combines efficiency with optimal performance. We hold ourselves to these claims, and they form the foundation for our vision of „washing without water“. This vision is our continuous incentive to walk on new paths in order to constantly reduce the water, energy and chemical consumption. Step by step, we would like to come closer to our goal with innovative excellence, and we already know: Whenever the first machine will be capable of washing without water – it will be a HOBART.

OUR FOCUS

INNOVATIVE - ECONOMICAL - ECOLOGICAL

This is our philosophy. To us, innovation means continuously setting new standards in technology, combined with real added value for the customer. An enterpriseowned technological centre and an innovation centre for warewashing technology at our headquarters in Germany make this possible. Highly efficient products are created with bundled innovation, which continuously confirm our status as technological leader. To be economical means to set standards in relation to the lowest operating costs and minimal use of resources, and to revolutionise the market continuously. To be ecological means a responsible handling of resources and a sustainable energy policy. This applies not only to the product in use, but in general to all areas of the organisation, such as purchasing or manufacturing.



2

**DEUTSCHLAND/ÖSTERREICH****HOBART GMBH**

Robert-Bosch-Straße 17 | 77656 Offenburg
Tel.: +49(0)781.600-0 | Fax: +49(0)781.600-23 19
info@hobart.de | www.hobart.de



Werkskundendienst 0180.345 62 58
für Österreich 0820.24 05 99

Zentraler Verkauf 0180.300 00 68

SCHWEIZ**GEHRIG GROUP AG**

Bäulerwisenstrasse 1 | 8152 Glattbrugg
Tel.: +41(0)43.211 56-56
Fax: +41(0)43.211 56-99
info@gehriggroup.ch
www.gehriggroup.ch

FRANCE**COMPAGNIE HOBART**

ZI PARIS EST - Allée du 1er Mai - B.P. 68
77312 MARNE LA VALLEE Cedex 2
Téléphone: +33(0)1 64 11 60 00
Fax: +33(0)1 64 11 60 01
contact@hobart.fr
www.hobart.fr

UNITED KINGDOM**HOBART UK**

Southgate Way | Orton Southgate
Peterborough | PE2 6GN
Phone: +44(0)844 888 7777
customer.support@hobartuk.com
www.hobartuk.com

BELGIUM**HOBART FOSTER BELGIUM**

Industriestraat 6 | 1910 Kampenhout
Phone: +32(0)16 60 60 40
Fax: +32 (0)16 60 59 88
sales@hobart.be
www.hobart.be

NEDERLAND**HOBART NEDERLAND B.V.**

Pompmolenlaan 12 | 3447GK Woerden
Tel.: +31(0)348.46 26 26
Fax: +31(0)348-43 01 17
info@hobart.nl
www.hobart.nl

NORGE**HOBART NORGE**

Gamle Drammensvei 120 | 1363 HØVIK
Tel.: +47(0)67 10 98 00
post@hobart.no
www.hobart.no

SVERIGE**HOBART SCANDINAVIA APS**

Box 2101 | 196 02 Kungsängen
Tel.: +46(0)8 584 50 920
Fax: +46(0)8 584 50 929
info@hobart.se
www.hobart.se

DANMARK**HOBART SCANDINAVIA APS**

Håndværkerbyen 27 | 2670 Greve
Tel.: +45(0)43 90 50 12
Fax: +45(0)43 90 50 02
post@hobart.dk
www.hobart.dk

AUSTRALIA**HOBART FOOD EQUIPMENT**

Unit 1 / 2 Picken Street | Silverwater NSW | 2128
Tel.: +61(0)2 9714 0200
Fax: +61(0)2 9714 0242
www.hobartfood.com.au

KOREA**HOBART KOREA LLC**

7th Floor | Woonsan Bldg | 108 | Bangi-dong
Songpa-gu | Seoul 138-050
Phone: +82(0)2 34 43 69 01
Fax: +82(0)2 34 43 69 05
contact@hobart.co.kr
www.hobart.co.kr

JAPAN**HOBART (JAPAN) K.K.**

Suzunaka Building Omori
6-16-16 Minami-Oi | Shinagawa-ku | Tokyo 140-0013
Phone: +81(0)3 5767 8670
Fax: +81(0)3 5767 8675
info@hobart.co.jp
www.hobart.co.jp

SINGAPORE**HOBART INTERNATIONAL (S) PTE LTD**

158 | Kallang Way | #06-03/05
Singapore 349245
Phone: +65(0)6846 7117
Fax: +65(0)6846 0991
enquiry@hobart.com.sg
www.hobart.com.sg

THAILAND**HOBART (THAILAND)**

889 Thai CC building | 31st Floor | Room no. 311
South Sathorn Rd. | Yannawa | Sathorn
Bangkok 10120
Phone: +66(0)2-675-6279 | Fax: +66(0)2-675-6280
enquiry@hobartthailand.com | www.hobartthailand.com

OTHER COUNTRIES**HOBART GMBH**

Robert-Bosch-Straße 17 | 77656 Offenburg | Germany
Phone: +49(0)781.600-28 20
Fax: +49(0)781.600-28 19
info-export@hobart.de
www.hobart-export.com

Die Angaben in diesem Prospekt beruhen auf dem Stand 03/2015. Technische Änderungen oder Änderungen der Ausführung bleiben vorbehalten.

The details given in this brochure are correct as of 03/2015. We reserve the right to technical or design modifications.

Document non contractuel. Les indications de ce prospectus sont conformes à la mise à jour de 03/2015. Nous nous réservons le droit de modifier les données ou les configurations techniques de nos machines.

